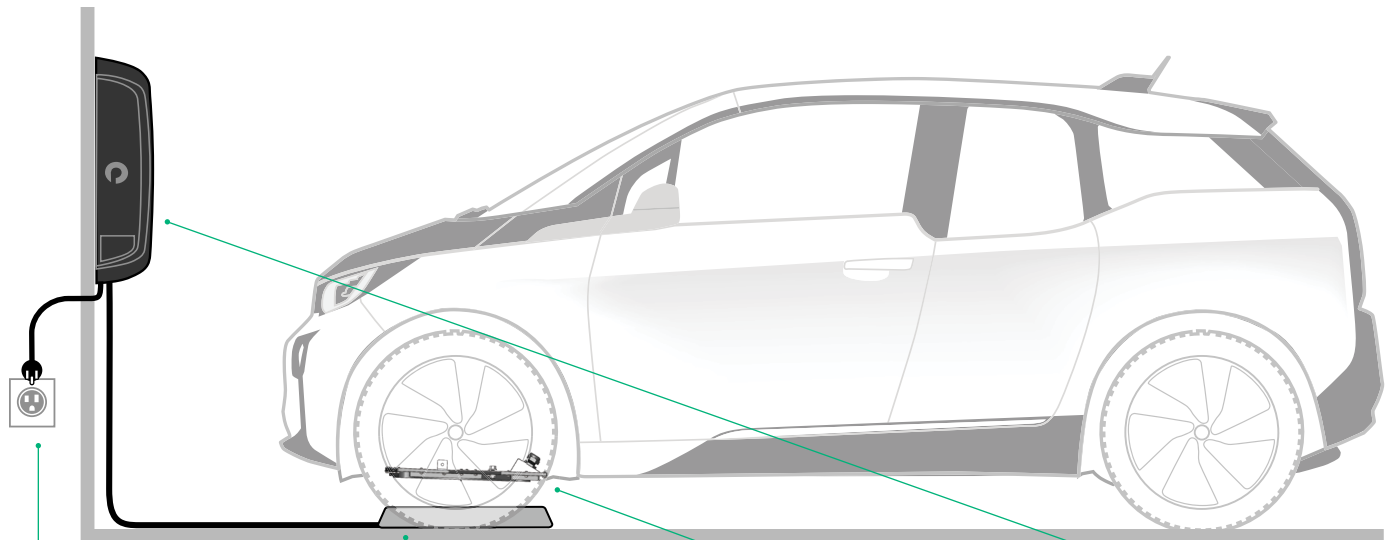


# PLUGLESS AT-A-GLANCE

FOR BMW i3

**PLUGLESS™**  
plugless.com

Plugless is the **world's only wireless, home EV charging station** and the most convenient way to refuel a vehicle on the planet. Going Plugless means rarely having to think about charging your car—it's as simple as parking. It inductively transfers electricity up to 7.2kW power to your EV.



## POWER SOURCE

Dedicated standard home **240 volt 50 amp receptacle** (indoor only) or you can hardwire directly to circuit.

## PARKING PAD

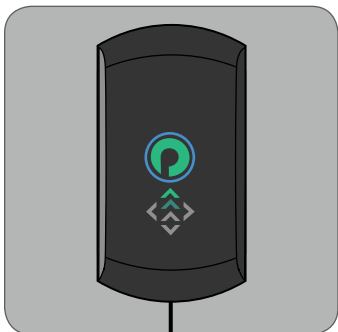
Plugless charging starts here. Focused magnetic energy is transmitted upward through the air when EV is parked.

## VEHICLE ADAPTER

Receives energy from the Parking Pad. Seamless and fully reversible install at no cost to you. Fits invisibly on your vehicle.

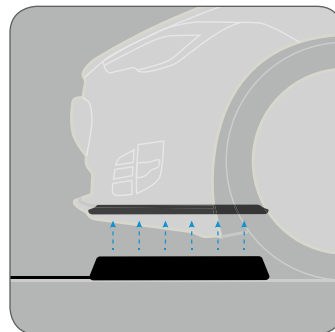
## CONTROL PANEL

Easy-to-see, intuitive Guidance System and Charging Status display. Highly durable materials and sleek design.



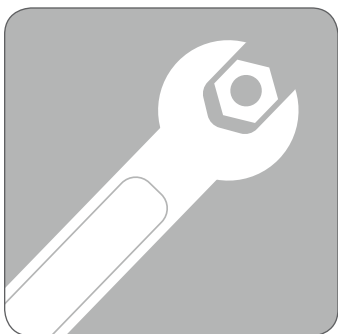
## SMART GUIDANCE SYSTEM

The Guidance System senses your approaching EV and helps you ease in; forward, back, left and right in real time for optimum alignment. You even get a score each time.



## ULTIMATE CONVENIENCE

With wireless inductive EV charging, if you can park, you can charge. Once you turn off your EV, it's charging. And at up to 7.2kW, you'll charge **4X as fast as a standard 120V system.**



## SEAMLESS INSTALL

The Vehicle Adapter is installed on your EV and is fully reversible. That means no cutting, drilling or damage to your EV. And it functions the same as the day you bought it—except you'll only have to plug in when you are out and about.



## RUGGED ALL-WEATHER DESIGN

Plugless has been rigorously tested and has **600,000+ hours of consumer use** in a wide variety of climates—from Quebec to Arizona and Seattle too. It works great both indoors and out, in rain, heat and snow.

Ready to go Plugless?

**CONTACT YOUR PLUGLESS ADVISOR**

+1 (877) 573-8862 | [Advisor@plugless.com](mailto:Advisor@plugless.com)